

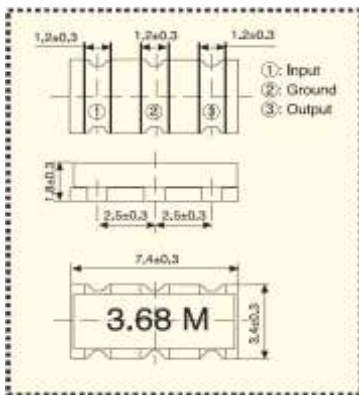
IR ZTTCC MG



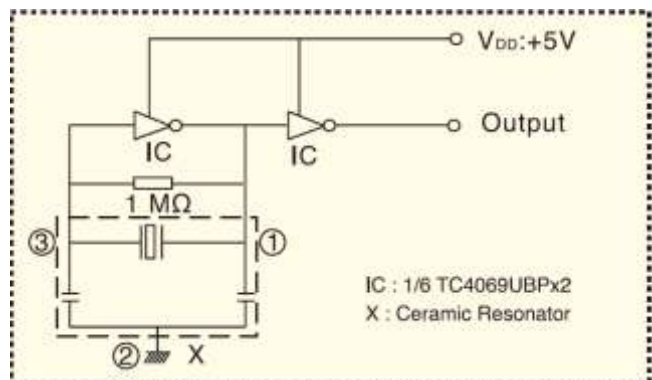
Ceramic Resonator

| Item | Specification |
|--|--|
| Oscillation Frequency | 1,80 ~ 8,00 MHz |
| Frequency Accuracy | ±0,5% |
| Temperature Coefficient of Oscillation Frequency max | ±0,3% (Oscillation Frequency drift -20°C ~+80°C) |
| Aging Rate max for ten years | ±0,3% |
| Rating Voltage max | 6 VDC 15Vp-p |
| Withstanding Voltage UR | 100 DC, 1 min |

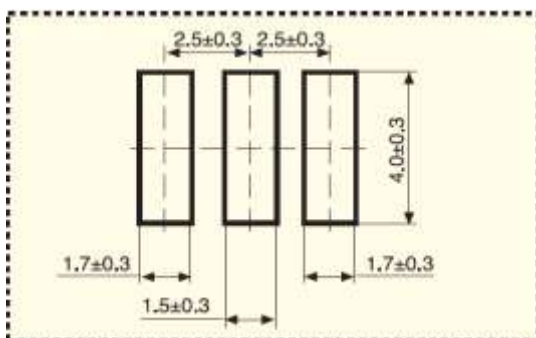
Dimension (Unit: mm)



Test Circuit



Recommended Land Pattern



Recommended Reflow Soldering

