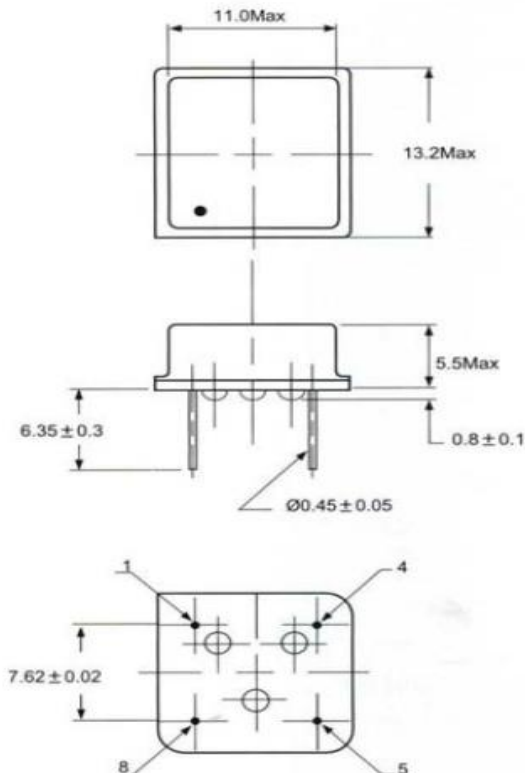


IO 30



Oscillator 1,8 V/2,5 V/3,3 V/5,0 V

Dimensions l/w/h (max)	11,0 mm x 13,2 mm x 5,5 mm				
Frequency range	0,4 MHz to 200,0 MHz				
Operating temperature	Refer to Ordering Guidance				
Storage temperature	-55°C to +125°C				
Frequency Control Range	± 10 ppm ~ ±100 ppm				
Output Level	TTL or CMOS				
Output Symmetry	45/55% or 40-60% optional				
Input current	0,40 MHz ~ 24,99 MHz	25 mA			
	25,0 MHz ~ 99,99 MHz	40 mA			
	100,0 MHz ~ 200,0 MHz	60 mA			
Power supply voltage	1,8 V	2,5 V	3,3 V	5,0 V	±10%
Rise & Fall Time	8 nS	8 nS	8 nS	10 nS	
Output Load	15 pF				
Aging first year	±5 ppm				



PIN	FUNCTION
# 1	NC or Tri-state E/D
# 4	GROUND
# 5	OUTPUT
# 8	VDD

