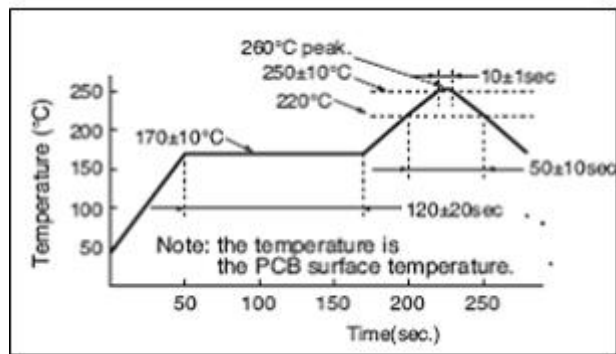
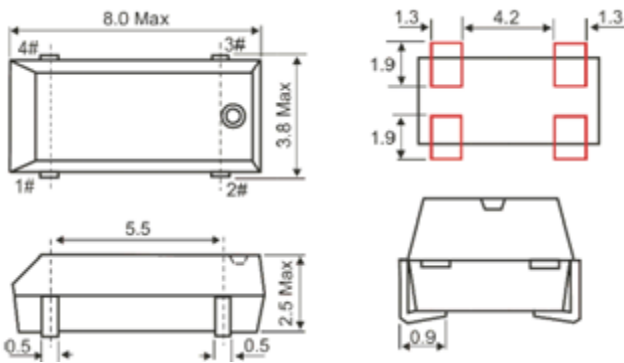


IC 9

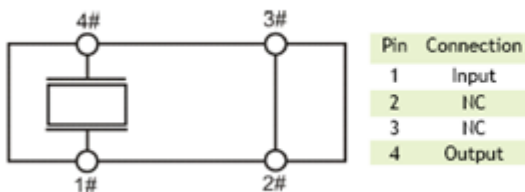


Clock Crystal

Dimensions l/w/h in mm (max)	8,0 x 3,8 x 2,5
Frequency	32,768 KHz
Operating Temperature	Refer to Ordering Guidance
Frequency Tolerance at 25°C	± 20 ppm
Frequency Stability at -40°C to +85°C	-0,034 ppm /°C ² typ. ± 0,008/°C ² max
Storage Temperature	-55°C to +125°C
Load Capacitance (CL)	12,5 pF
Shunt Capacitance (C0)	1,55 pF typ.
Series Resonance (R1)	35 KOhm typ., 50K Ohm max.
Drive Level μW max.	0,1 typ. 1,0 max
Aging (df/F) first year at 25°C	± 3 ppm



ELECTRICAL CONNECTIONS



Remark

1. Do not connect terminals 2#, 3# to external device and GND. These are dummy terminals.
2. The shell of cylinder inside resin mold may be partially exposed; it does not affect the characteristics of crystal unit.