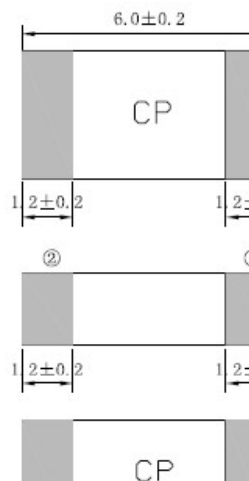


# IR ZTA CP

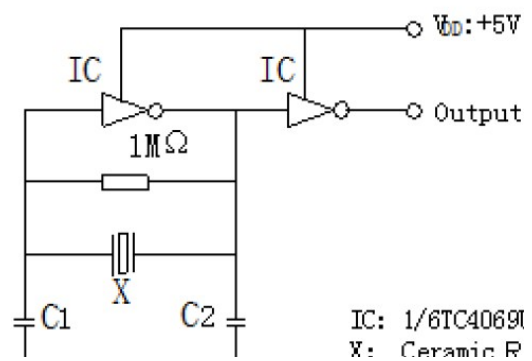
## Ceramic Resonator

Item	Specification
Oscillation Frequency	2,00 ~ 13,00 MHz
Frequency Accuracy	±0,5%
Temperature Coefficient of Oscillation Frequency max	2,00 ~ 8,00MHz: ±0,3% 6,00 ~ 13,00 MHz ±0,4% (Oscillation Frequency drift -25°C ~+85°C)
Aging Rate max for ten years	±0,3%
Rating Voltage max	6 VDC <span style="float: right;">15Vp-p</span>
Withstanding Voltage UR	100 DC, 1 min

### Dimension (Unit: mm)



### Test Circuit



### Reflow Soldering Condition

